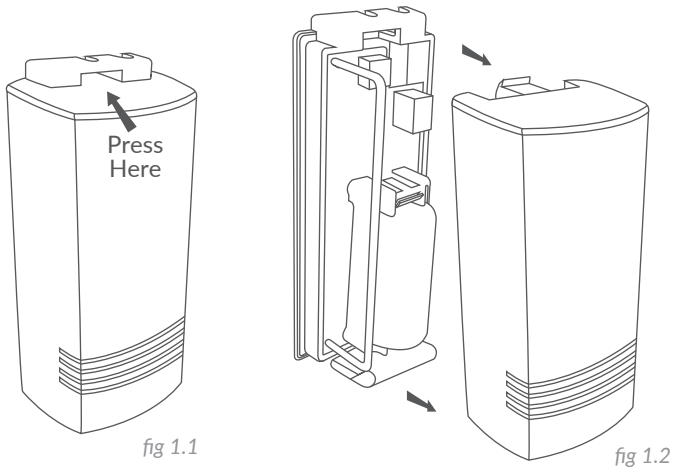


RE 219

Home Disaster™ Sensor

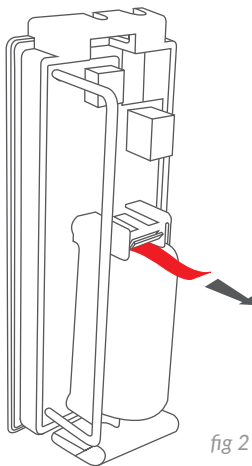
Need help? Give us a call.
1-877-826-5443

Setup



STEP 1

Applying pressure near the sensor's locking tab (fig 1.1), remove cover by pulling away from the base (fig 1.2).



STEP 2

If the sensor is not preprogrammed, locate and remove red pull tab between lithium battery (CR123A) and contact point (fig 2), then replace cover.

Note: If replacing the battery, ensure the battery's positive side (indicated by "+") faces toward the spring.

Mount

STEP 1

Replace cover and remove adhesive strip from back of sensor. Mount extension where wall meets floor (fig 3.1). Then mount sensor to wall's surface with battery end (indicated by four parallel lines on cover) facing up (fig 3.2).

